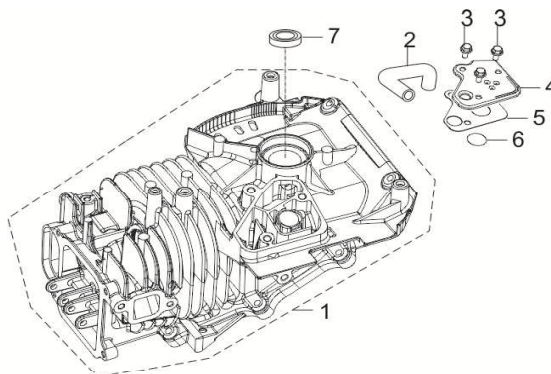


FIG.1 CRANKCASE SUBASSEMBLY. (E01)

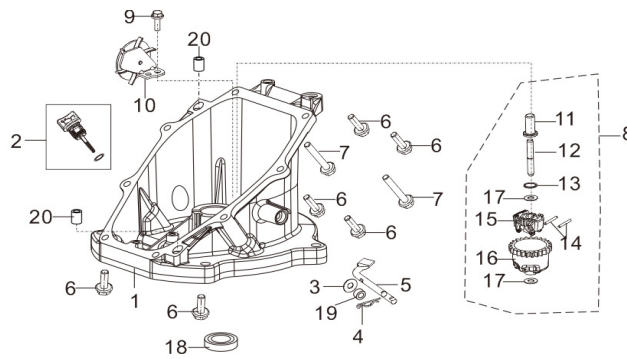
图1：曲轴箱体组合 (E01)



REF.NO.	PART NO.	DESCRIPTION	名称	Q'TY数量
E01-1	11310-Z350130-0000	CRANKCASE SUBASSEMBLY	曲轴箱体组合	1
E01-2	17004-Z350120-0000	TUBE, BREATHER	废气管	1
E01-3	90007-0512-A1	BOLT	六角法兰面螺栓-加大系列-B级	3
E01-4	11333-Z350120-0000	PLATE, BREATH GROOVE COVER	呼吸槽盖板	1
E01-5	11332-Z350110-0000	GASKET, BREATH GROOVE	呼吸槽密封垫	1
E01-6	11321-Z350110-0000	PIECE, BREATH	呼吸片	1
E01-7	90682-Z250110-0000	SEAL, OIL	油封	1

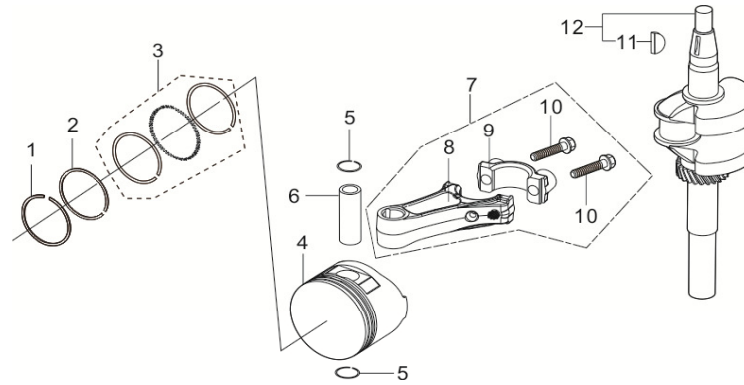
FIG.2 COVER SUBASSEMBLY, CRANKCASE (E01)

图2：曲轴箱盖总成 (E01)



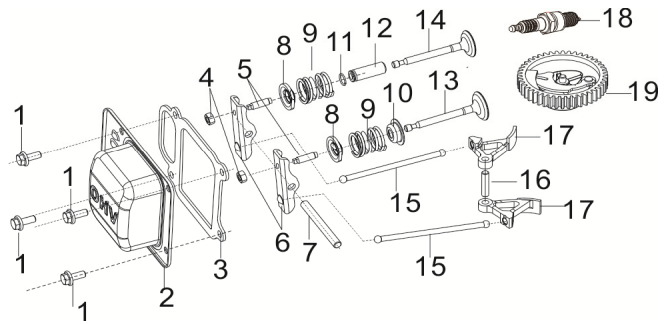
REF.NO.	PART NO.	DESCRIPTION	名称	Q'TY数量
E01-1	11411-Z350210-0000	COVER, CRANKCASE	曲轴箱盖	1
E01-2	15010-Z350110-Q500	IPSTICK , OIL	机油尺组合	1
E01-3	90408-Z010210-0000	WASHER	平垫圈 A级	1
E01-4	90501-Z010110-0000	PIN	开口销	1
E01-5	16061-Z350110-0000	ARM, GOVERNOR	调速臂	1
E01-6	90007-0620-A1	BOLT	六角法兰面螺栓-加大系列-B级	6
E01-7	90007-Z350210-0000	BOLT	六角法兰面螺栓-加大系列-B级	2
E01-8	16400-Z350110-0000	GEAR ASSY, GOVERNOR	调速齿轮部件	1
E01-9	90007-0612-A1	BOLT	六角法兰面螺栓-加大系列-B级	1
E01-10	15040-Z350120-0000	#N/D	搅油齿轮组合	1
E01-18	90682-Z030120-0000	SEAL, OIL	油封	1
E01-19	90682-Z030210-0000	SEAL, OIL	油封	1
E01-20	90502-0818-00	PIN	定位销	2

图3 : 活塞、连杆、曲轴 (E03)



REF.NO.	PART NO.	DESCRIPTION	名称	Q'TY数量
R03-1	13201-Z350110-0000	RING, THE FIRST	一环	1
R03-2	13202-Z350110-0000	RING, THE SECON	二环	1
R03-3	13210-Z350110-0000	RING SET, OIL	油环组合	1
R03-4	13111-Z350120-0000	PISTON	活塞	1
R03-5	13122-Z350110-0000	CLIP, PISTON PIN	活塞销卡圈	2
R03-6	13121-Z350110-0000	PIN, PISTON	活塞销	1
R03-7	13010-Z350110-0000	RO, CONNECTING	连杆	1
R03-12	13300-Z350120-0000	CRANKSHAFT ASSY	曲轴部件	1

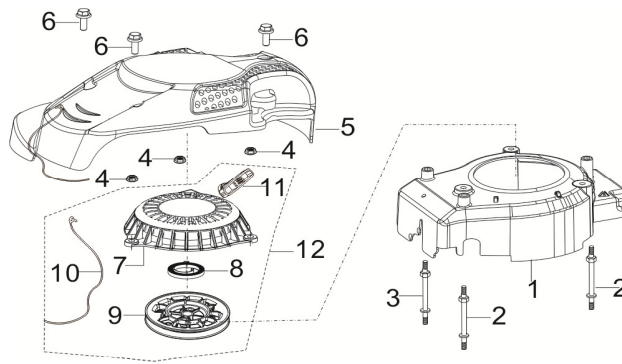
图4：气缸头盖 (E04)



REF.NO.	PART NO.	DESCRIPTION	名称	Q'TY数量
E04-1	90007-0512-A1	BOLT	六角法兰面螺栓-加大系列-B级	4
E04-2	12411-Z350110-0000	COVER, CYLINDER HEAD	气缸头盖	1
E04-3	12004-Z350110-0000	GASKET, CYLINDER HEAD COVER	气缸头盖密封垫	1
E04-4	14312-Z020210-0000	NUT, VALVE LOCK	气门锁紧螺母	2
E04-5	14314-Z020210-0000	BOLT, VALVE ADJUSTING	气门调节螺母	2
E04-6	14311-Z350120-0000	ROCKER, VALVE	气门摇臂	2
E04-7	14330-Z350110-0000		气门摇臂轴	1
E04-8	12112-Z350110-0000	SEAT, VALVE SPRING	气门弹簧座	2
E04-9	12103-Z350110-0000	SPRING, VALVE	气门弹簧	2
E04-10	12101-Z350110-0000	GUIDE, SEAL	挡油罩	1
E04-11	12146-Z350110-0000	CIRCLIP, VALVE GUIDE	气门导管挡圈	1
E04-12	12144-Z350110-0000	GUIDE, IN VALVE	气门导管	1
E04-13	12111-Z350110-0000	VALVE, EXHAUST	进气门	1
E04-14	12121-Z350120-0000	RATATOR, VALVE	排气门	1
E04-15	14071-Z350120-0000	LIFTER, VALVE	气门挺杆	2
E04-16	14342-Z350110-0000	SHAFT, LOWER ROCKER	下摇臂轴	1
E04-17	14341-Z350120-0000	ROCKER, LOWER	下摇臂	2
E04-18	30010-Z350210-0000	PLUG, SPARK	火花塞	1
E04-19	14200-Z350120-0000	CAMSHAFT ASSY.	凸轮轴	1

FIG.5 STARTER, RECOIL (E08)

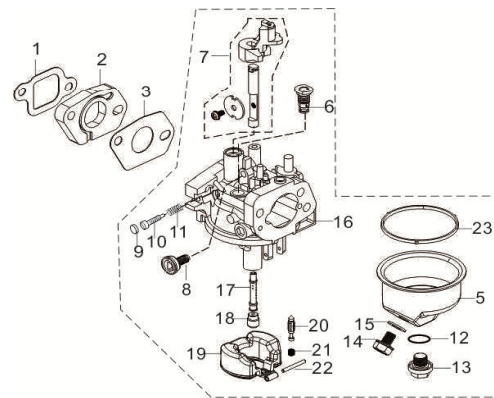
图5：起动机 (E08)



REF.NO.	PART NO.	DESCRIPTION	名称	Q'TY数量
E8-1	28110-Z350120-Q200	SHROU	导风罩	1
E8-2	28001-Z350110-0000	STUD	双头支撑螺栓	2
E8-3	28001-Z350210-0000	STUD	双头支撑螺栓	1
E8-4	90305-0500-31	NUT	六角法兰面螺母	3
E8-5	80001-Z350120-Q200	HOUSING, ENGINE	发动机外罩	1
E8-6	90001-0514-01	BOLT	六角法兰面螺栓-小系列	3
E8-12	28200-Z350110-Q200	STARTER ASSY, RECOIL	手起动部件	1

FIG.6 CARBURETOR (E11)

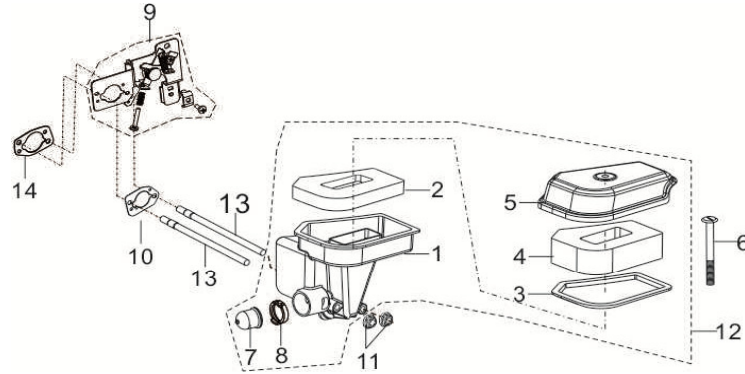
图6 : 化油器 (E11)



REF.NO.	PART NO.	DESCRIPTION	名称	Q'TY数量
E11-1	16004-Z350110-0000	GASKET, INSULATOR PLATE	隔热板密封垫	1
E11-2	16003-Z350110-0000	PLATE, CARBURETOR INSULATOR	化油器隔热板	1
E11-3	16001-Z350110-0000	GASKET, CARBURETOR	化油器密封垫	1
E11-4	16100-Z350210-0000	CARBURETOR ASSY.	化油器部件	1

FIG.7 CLEANER COMP, AIR (F02)

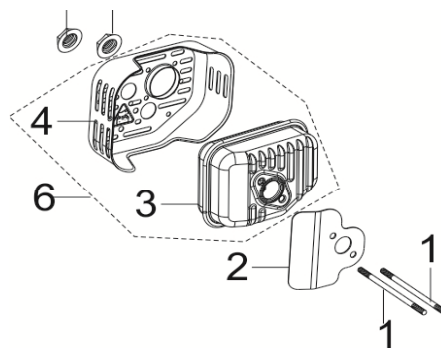
图7：空滤器（F02）



REF.NO.	PART NO.	DESCRIPTION	名称	Q'TY数量
F02-9	16520-Z350110-0000	CONTROL ASSY, THROTTLE	油门操纵组合	1
F02-10	17001-Z350120-0000	GASKET, AIR CLEANER	空滤器密封垫1	1
F02-11	90305-0500-31	NUT	六角法兰面螺母	2
F02-12	17100-Z350210-0000	CLEANER, AIR	空滤器	1
F02-13	90204-Z350110-0000	TUBE, BREATHER	双头螺柱 bm=2d	2
F02-14	17001-Z350210-0000	GASKET, AIR CLEANER	空滤器密封垫2	1

FIG.8 MUFFLER (F04)

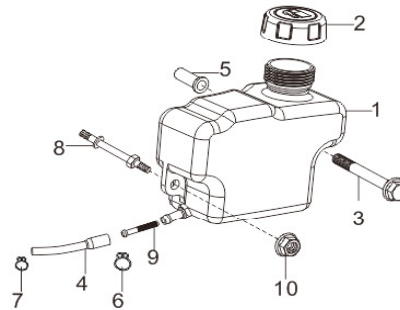
图8：消声器（F04）



REF.NO.	PART NO.	DESCRIPTION	名称	Q'TY数量
F04-1	90204-Z350210-0000	STUD	双头螺柱 bm=2d	2
F04-2	18001-Z350210-0000	GASKET, EXHAUST OUTLET	排气口密封垫	1
F04-3	18100-Z350110-0000	MUFFLER ASSY.	消声器部件	1
F04-4	18130-Z350110-QB00	COVER, MUFFLER OUTER	消声器外罩	1
F04-5	90310-0600-31	NUT	全金属六角法兰面锁紧螺母	2

FIG.9 TANK, FUEL (F01)

图9 : 油箱 (F01)

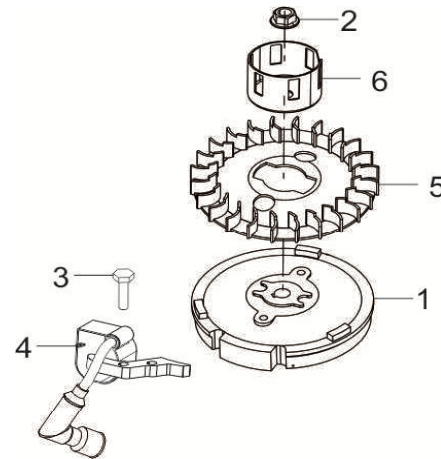


REF.NO.	PART NO.	DESCRIPTION	名称	Q'TY数量
F01-1	16620-Z350120-Q200	16620-Z350120	油箱	1
F01-2	16730-Z250210-0000	Z250210	油箱盖	1
F01-3	90007-0645-A3	BOLT	六角法兰面螺栓-加大系列-B级	1
F01-4	90686-Z350110-0000	TUBE, FUEL	油管	1

F01-5	90683-Z030420-0000	BUSH	衬套	1
F01-6	90685-Z030110-0000	CLAMP	管夹	1
F01-7	90740-Z010210-0000	CLAMP	卡箍	1
F01-8	28001-Z350310-0000	STUD	双头支撑螺栓	1
F01-9	16652-Z030110-0000	STRAINER, FUEL	燃油滤网	1
F01-10	90305-0600-31	NUT	六角法兰面螺母	1

FIG.10 FLYWHEEL ASSY. (E15)

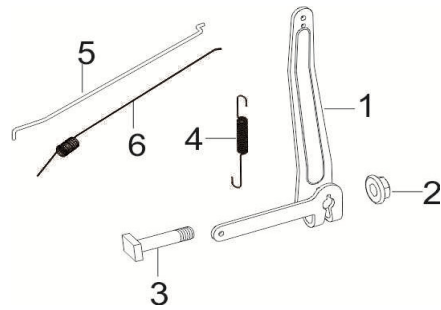
图10 : 飞轮组合 (E15)



REF.NO.	PART NO.	DESCRIPTION	名称	Q'TY数量
E15-1	13510-Z350210-0000	FLYWHEEL SUBASSEMBLY	飞轮组合	1
E15-2	13501-Z010110-0000	NUT, FLYWHEEL	飞轮螺母	1
E15-3	90001-0520-01	BOLT	六角法兰面螺栓-小系列	1
E15-4	30400-Z350210-0000	COIL, IGNITION	点火线圈	1
E15-5	19352-Z510110-0000	IMPELLER	叶轮	1
E15-6	28002-Z240120-0000	PULLEY, STARTER	起动杯	1

FIG.11 CONTROL ASSY, THROTTLE. (E12)

图11 : 调速器 (E12)



REF.NO.	PART NO.	DESCRIPTION	名称	Q'TY数量
E12-1	16070-Z350120-0000	SUPPORT SUBASSEMBLY, GOVERNOR	调速支架组合	1
E12-2	90305-0600-31	NUT	六角法兰面螺母	1
E12-3	16072-Z010110-0000	BOLT, GOVERNOR SUPPORT	调速支架固定螺栓	1
E12-4	16063-Z350210-0000	SPRING, GOVERNOR	调速弹簧	1
E12-5	16062-Z350110-0000	ROD, GOVERNER	调速拉杆	1